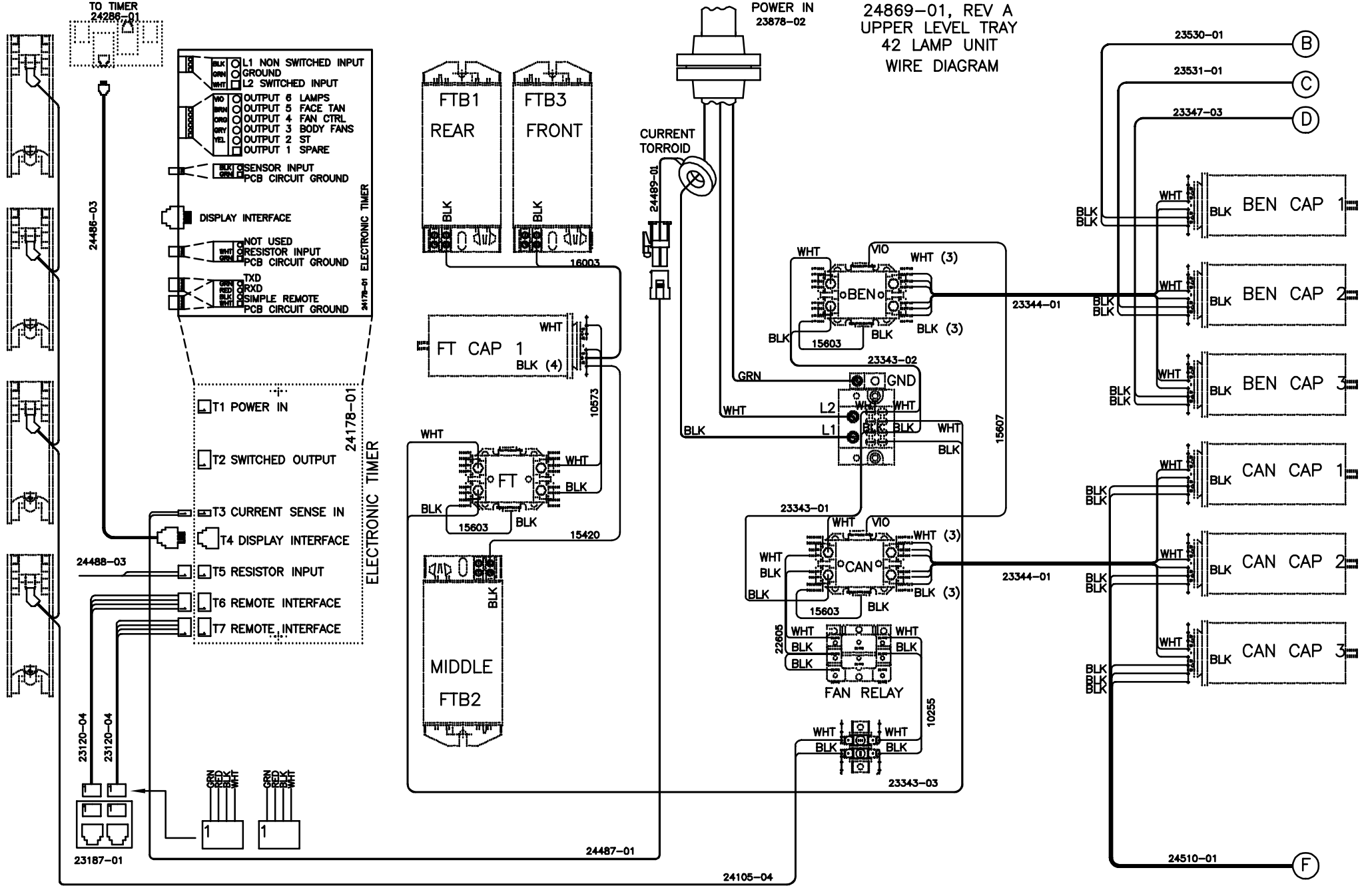


POWER IN
23878-02

24869-01, REV A
UPPER LEVEL TRAY
42 LAMP UNIT
WIRE DIAGRAM



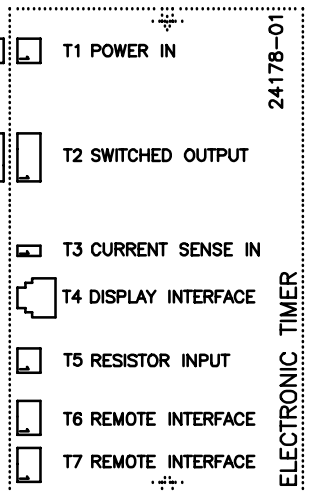
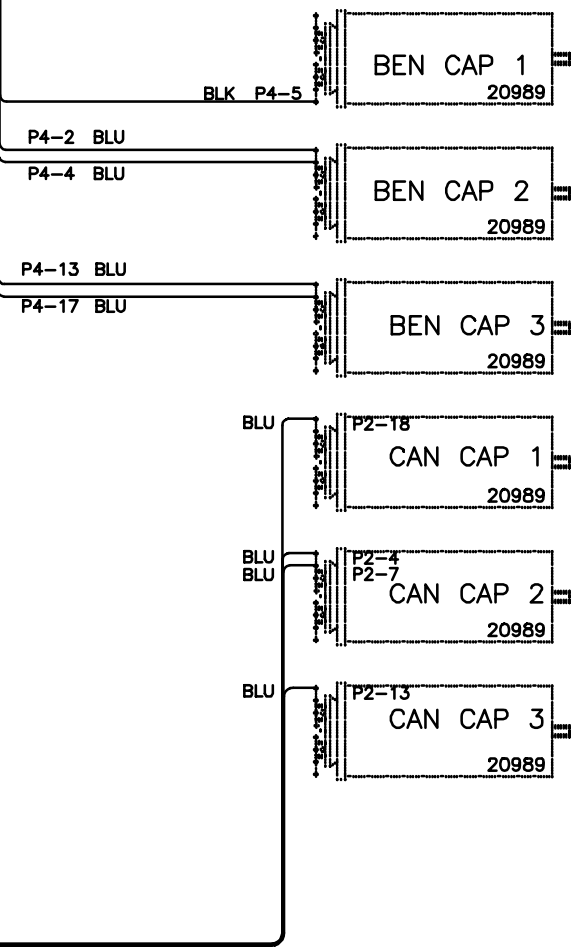
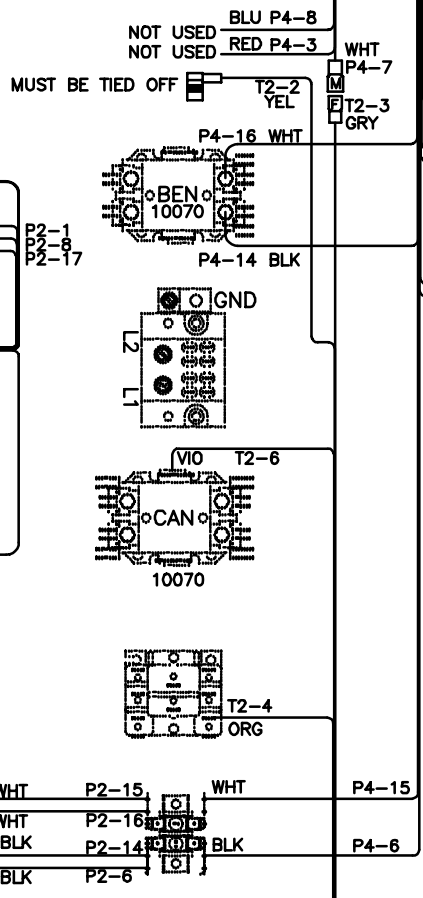
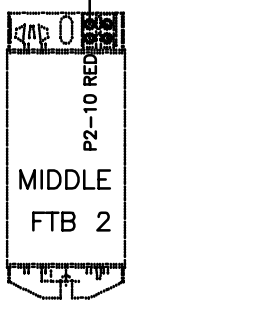
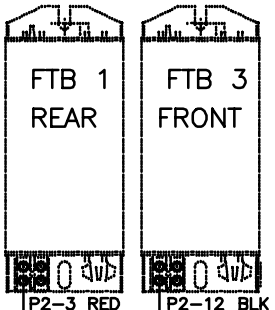
P2
23198-01

FTB RTN 1	KEY	FTB 1	LAMP RTN 1	LAMP FEED 24	FAN FEED	LAMP RTN 2	FTB RTN 2	LAMP FEED 25	FTB 2	LAMP FEED 26	FTB 3	LAMP RTN 3	SHROUD FAN FEED	SHROUD FAN FEED	FAN RTN	SHROUD FAN RETURN	FTB RTN 3	FTB RTN 4	LAMP RTN 4	GROUND
1	2	3	4	5	6	7	8	9	10	11	12	13	14	15	16	17	18	19		
BLU	RED	BLU	BRN	BLK	BLU	BLU	GRY	RED	BRN	BRN	BLK	BLU	BLK	WHT	WHT	BLU	BLU	BLU	GRN	GRN

P4
23197

NOT USED	LAMP RTN 5	ST FEED 1	LAMP RTN 6	BODY FAN FEED	FAN FEED	BODY FAN RTN	ST RTN	KEY	NOT USED	NOT USED	NOT USED	LAMP RTN 7	HOUR CTR FEED	FAN RTN	HOUR CTR RTN	LAMP RTN 8	NOT USED	GROUND
1	2	3	4	5	6	7	8	9	10	11	12	13	14	15	16	17	18	19
BLU	RED	BLU	BLU	BLK	BLK	WHT	BLU					BLU	BLK	WHT	WHT	BLU		GRN

(A)
TO BALLAST
24 - 26

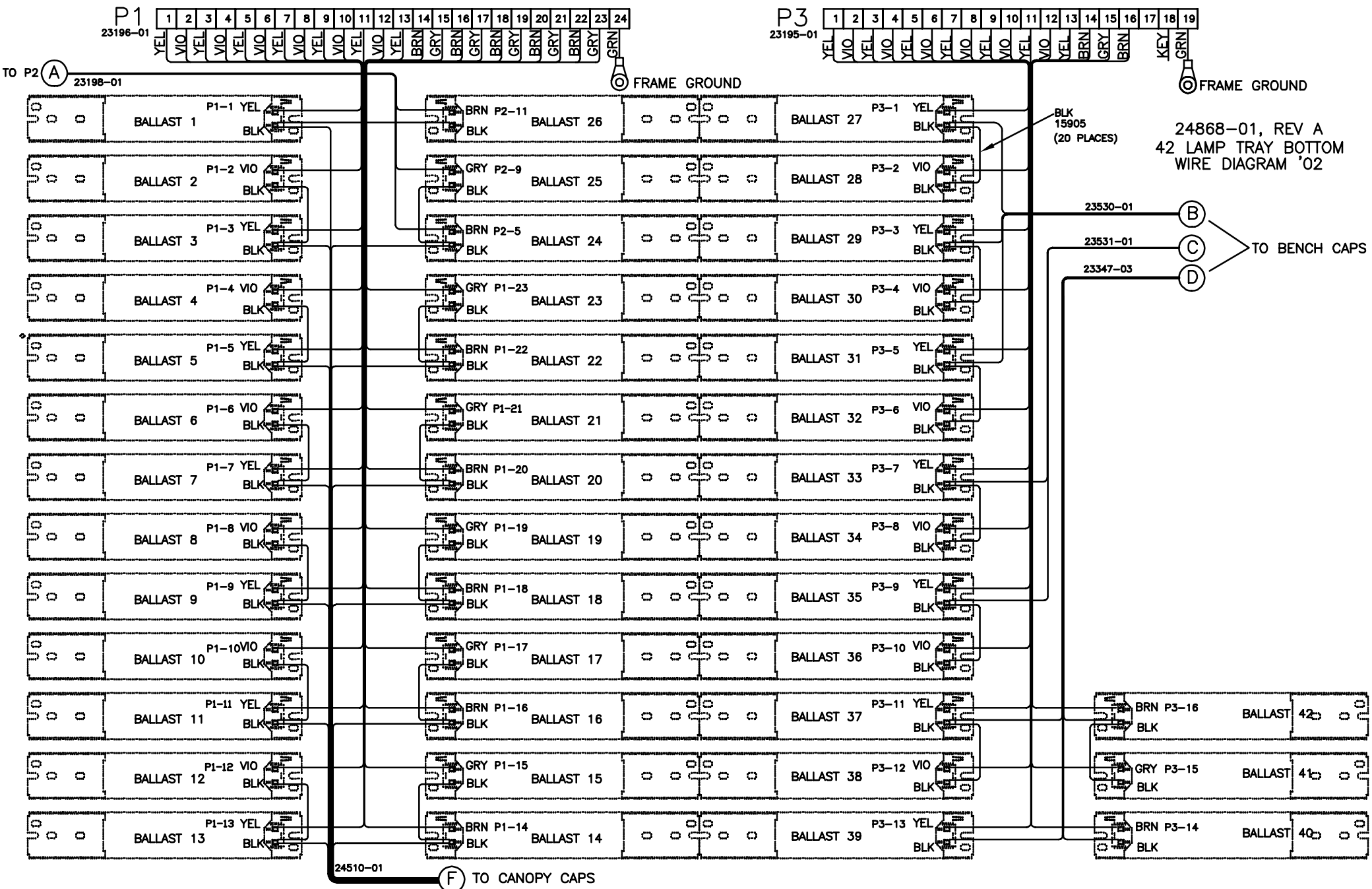


24869-01, REV A
UPPER LEVEL TRAY
42 LAMP UNIT
WIRE DIAGRAM

24873-01

23335-01

WARNING: ALTERING THE DESIGN, TIMER SYSTEM, OR WIRING FROM THAT SHOWN HEREIN, WILL VOID THE WARRANTY, AND MAY RESULT IN A VIOLATION OF FEDERAL LAW.

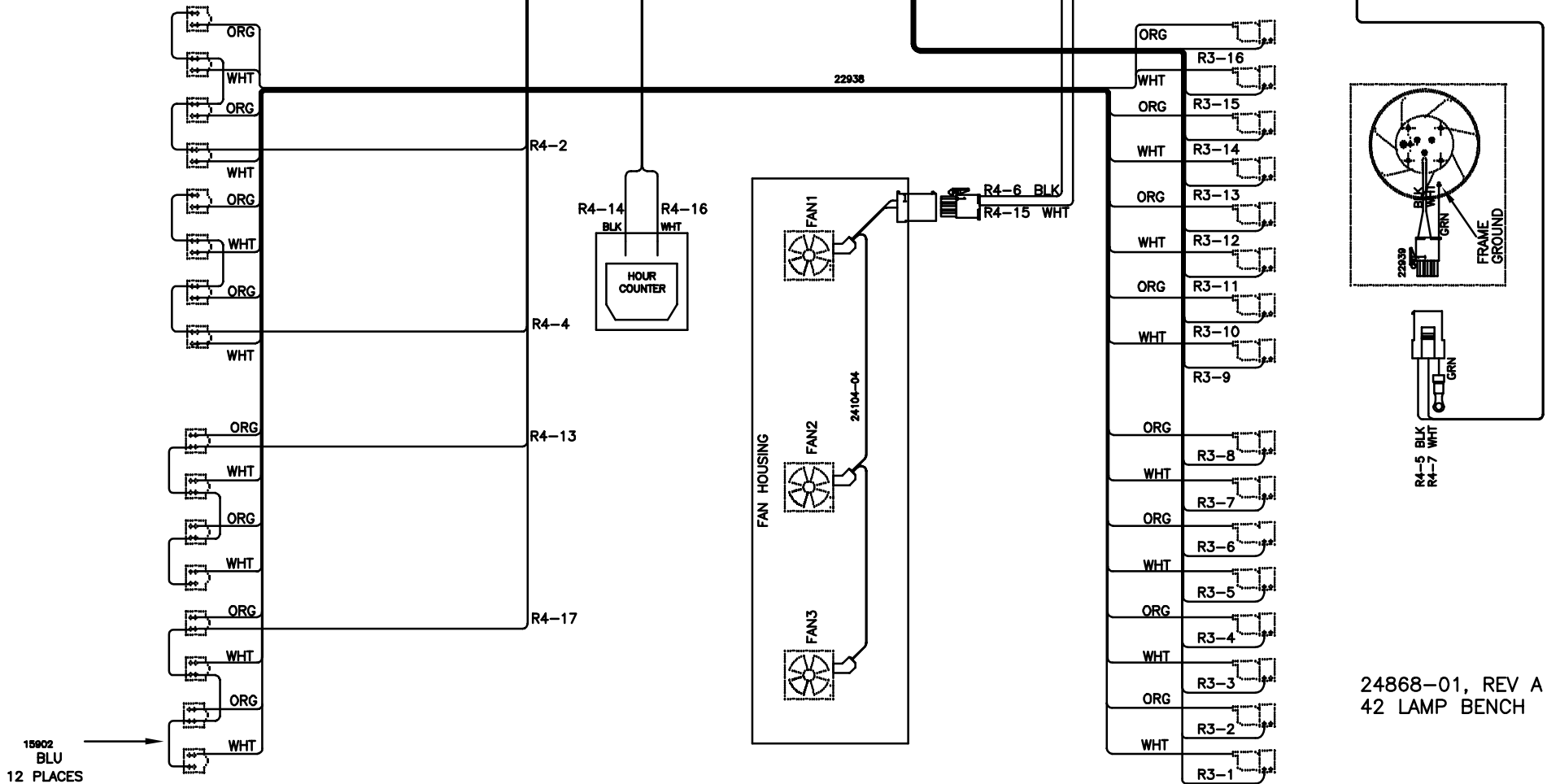


R3
23348-01

1	2	3	4	5	6	7	8	9	10	11	12	13	14	15	16	17	18	19
YEL	V/O	YEL	V/O	YEL	V/O	YEL	V/O	YEL	V/O	YEL	V/O	YEL	V/O	YEL	V/O	GRN		

1	2	3	4	5	6	7	8	9	10	11	12	13	14	15	16	17	18	19
NOT USED	LAMP RTN	LAMP RTN	LAMP RTN	B FAN FEED	B FAN FEED	B FAN RTN	KEY	NOT USED	NOT USED	NOT USED	LAMP RTN	H CTR FEED	H CTR FEED	FAN RTN	H CTR RTN	LAMP RTN	NOT USED	GROUND
BLU	BLU	BLU	BLK	BLK	WHT						BLU	BLK	WHT	WHT	BLU	GRN		

R4
24810-01



FRONT OF BED
(BOTTOM SIDE UP)

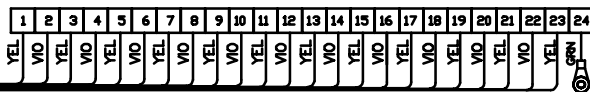
WARNING: ALTERING THE DESIGN, TIMER SYSTEM, OR WIRING FROM THAT SHOWN HEREIN, WILL VOID THE WARRANTY, AND MAY RESULT IN A VIOLATION OF FEDERAL LAW.

24868-01, REV A
42 LAMP BENCH

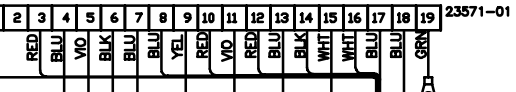
TO TIMER
24286-01



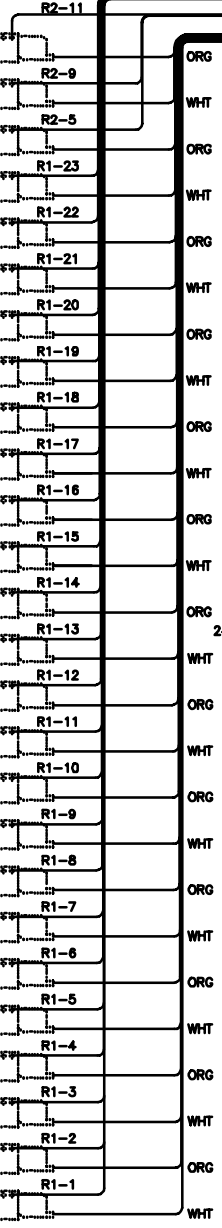
R1
23361-01



R2

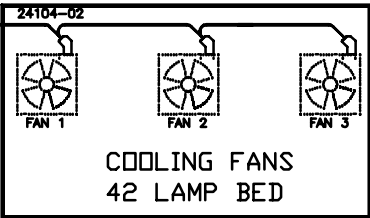


23571-01



24872-01

R2 PIN NO.	FUNCTION	P5 PIN NO.
1	FTB RTN 1	7
2	OPEN (KEY)	-
3	FTB 1	1
4	LAMP RTN 1	-
5	LAMP 24 FEED	-
6	FAN FEED	-
7	LAMP RTN 2	-
8	FTB 2 RTN	8
9	LAMP 25 FEED	-
10	FTB 2	3
11	LAMP 26 FEED	-
12	FTB 3	2
13	LAMP RTN 3	-
14	SHROUD FAN FEED	4
15	FAN RTN	-
16	SHROUD FAN RTN	6
17	FTB 3 RTN	9
18	LAMP RTN 4	-
19	GROUND	-



24867-01, REV A
42 LAMP CANOPY
WIRE DIAGRAM

FRONT OF BED

WARNING: ALTERING THE DESIGN, TIMER SYSTEM, OR WIRING FROM THAT SHOWN HEREIN, WILL VOID THE WARRANTY, AND MAY RESULT IN A VIOLATION OF FEDERAL LAW.

24486-04

